

Installation instructions for PZ4AL-3003-00  
Under Run Protective Shield Engine Bay

## TOYOTA LC 200

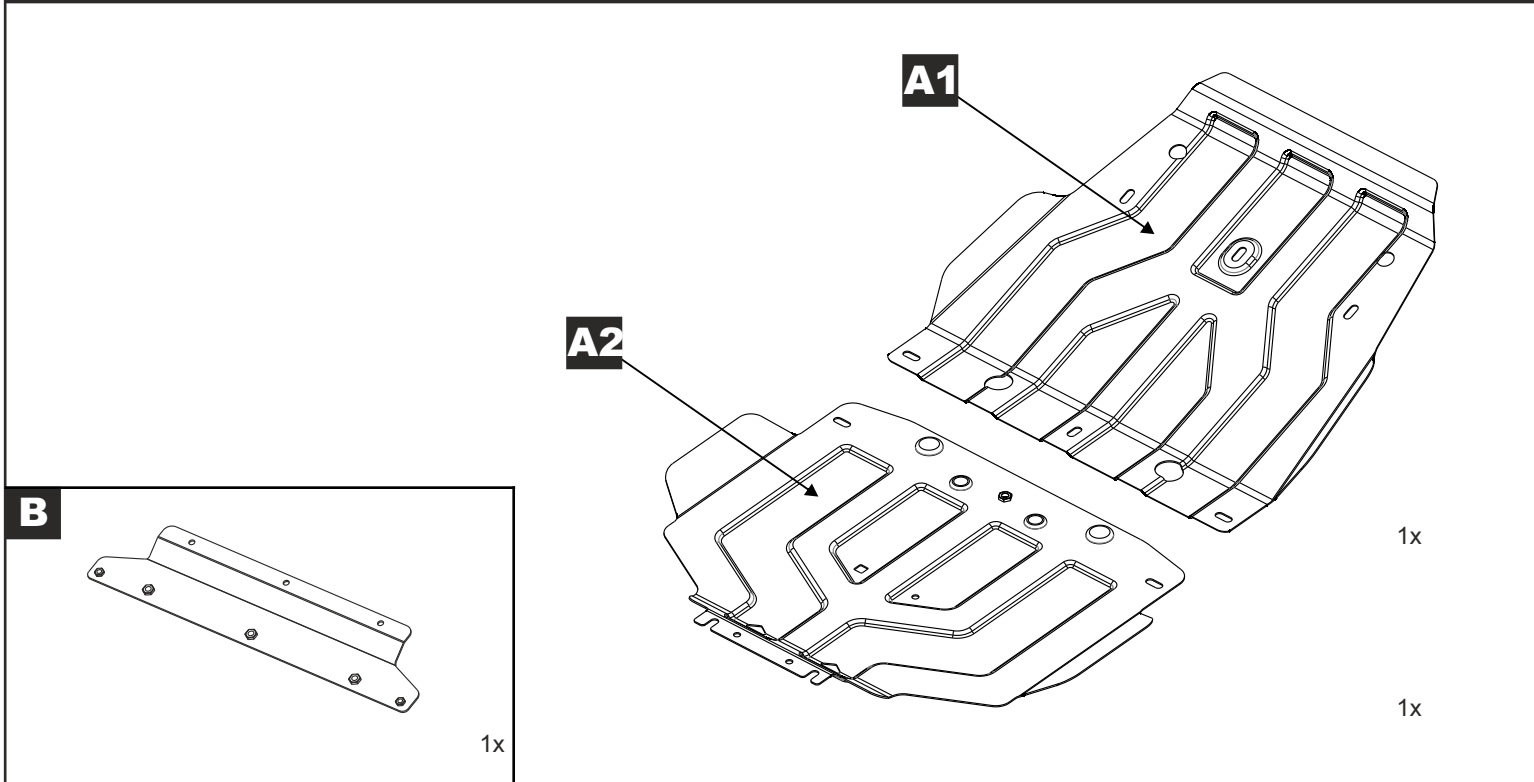


## LEXUS LX

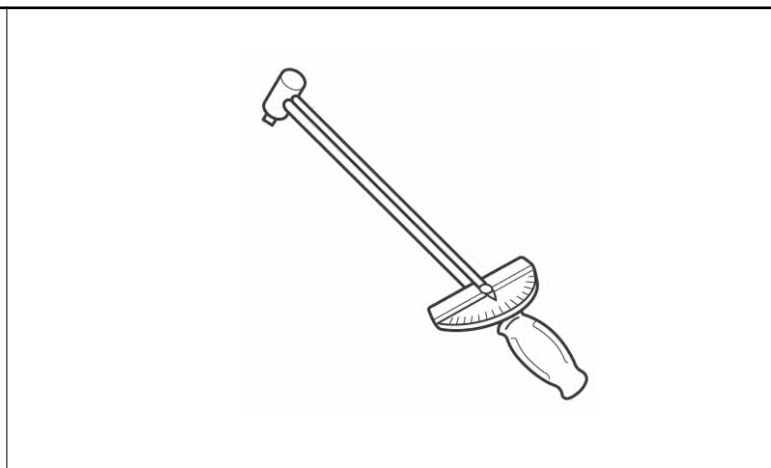
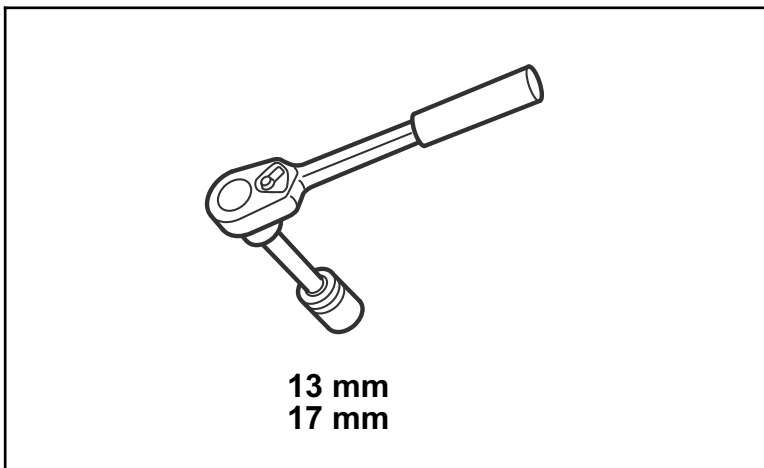
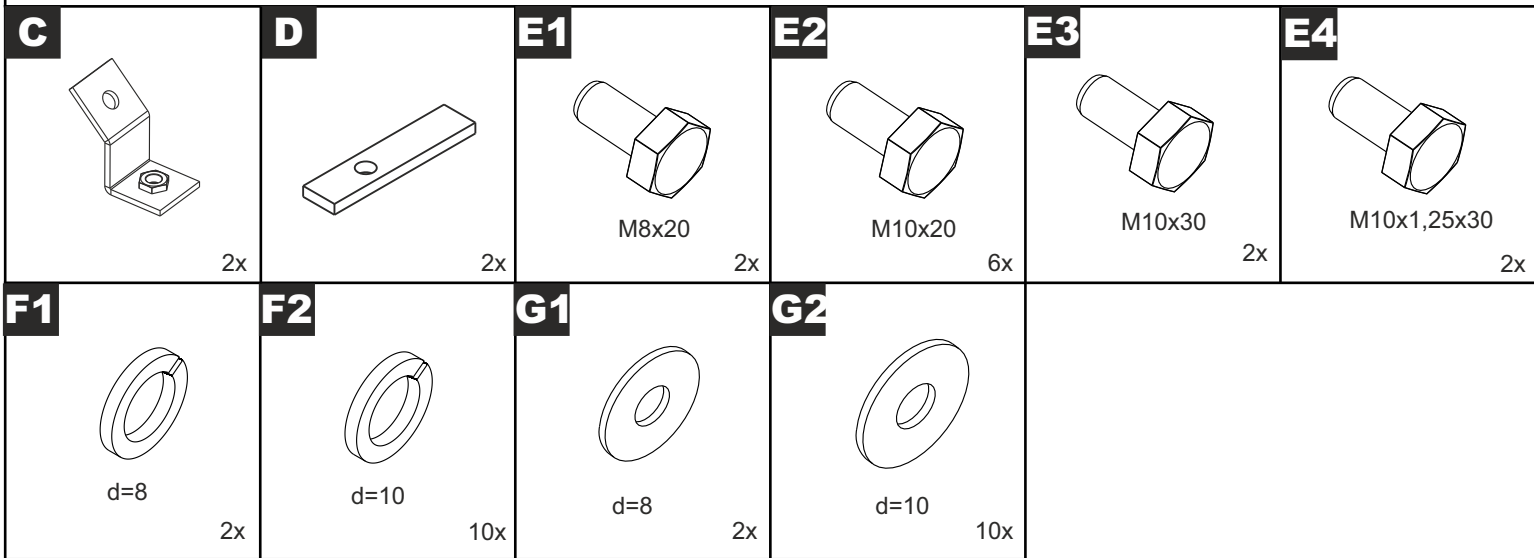


|  | <b>LC 200</b>                                      | <b>LX 570</b>  | <b>LX 450d</b>       |
|--|--|----------------|----------------------|
| Model year:  | <b>2015</b>  | <b>2015</b>    | <b>2015</b>          |
| Applicability:   | VDJ200L-GMTVZW<br>URJ202L-GMTEKW<br>URJ202L-GNTVKW | URJ201L-GNZGKW | VDJ201L-GMTGZW       |
| Part Number:   |  |                | Steel: PZ4AL-3003-00 |
|  Weight:            |  |                | 14.32 kg             |
|  Installation Time: |  |                | 30 min               |

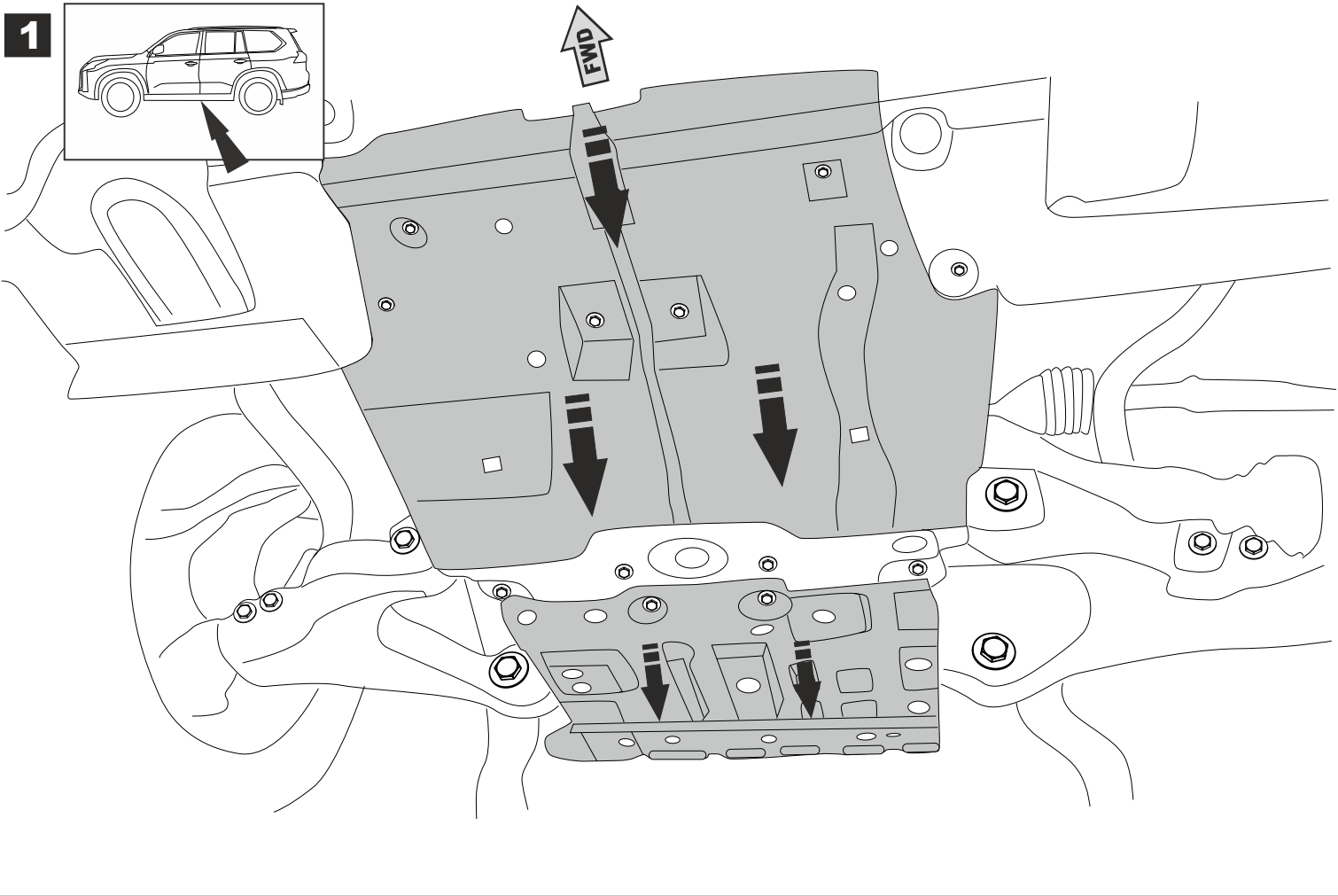
PZ4AL-03003-00



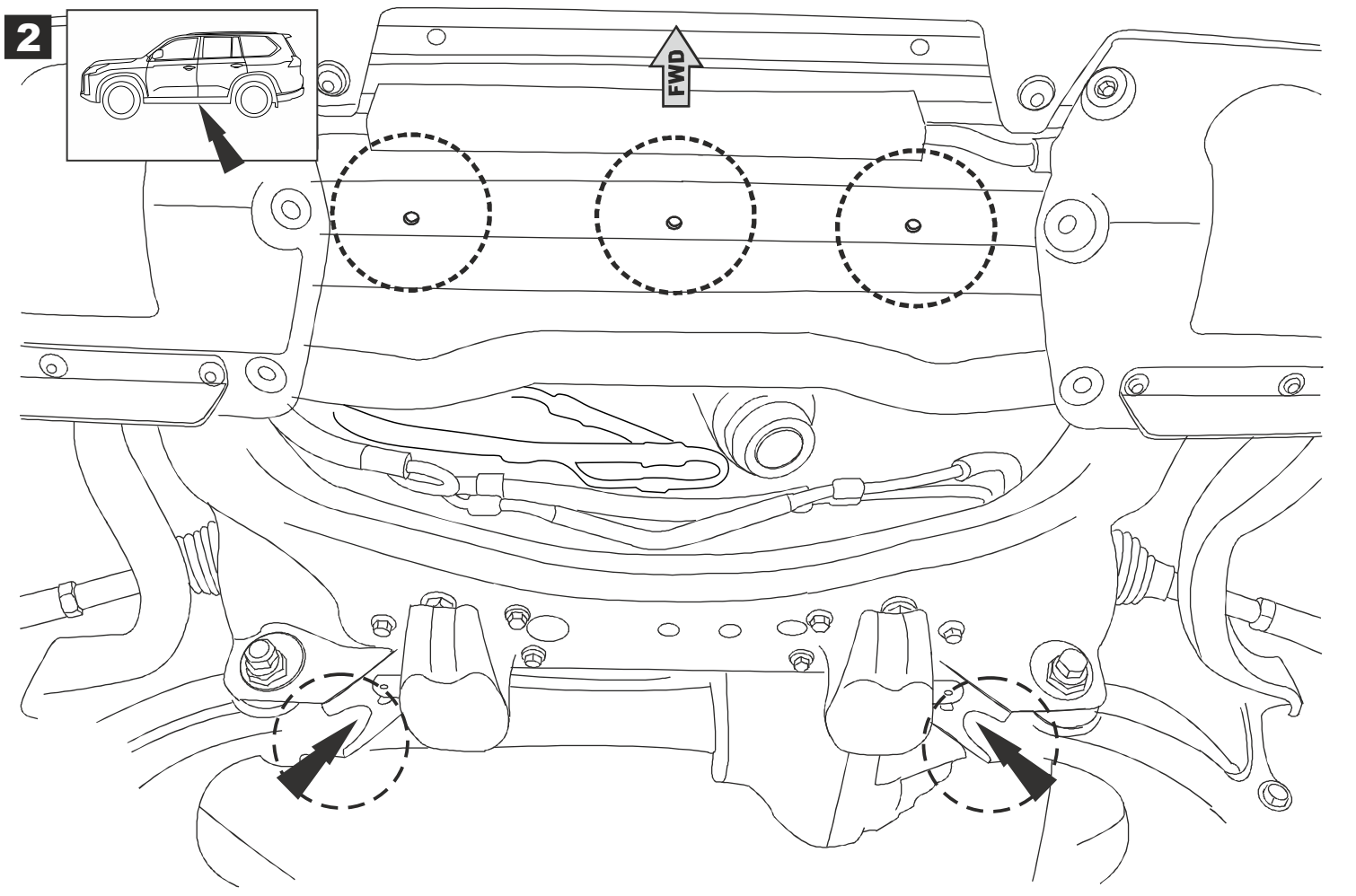
KZNG5-01870-60

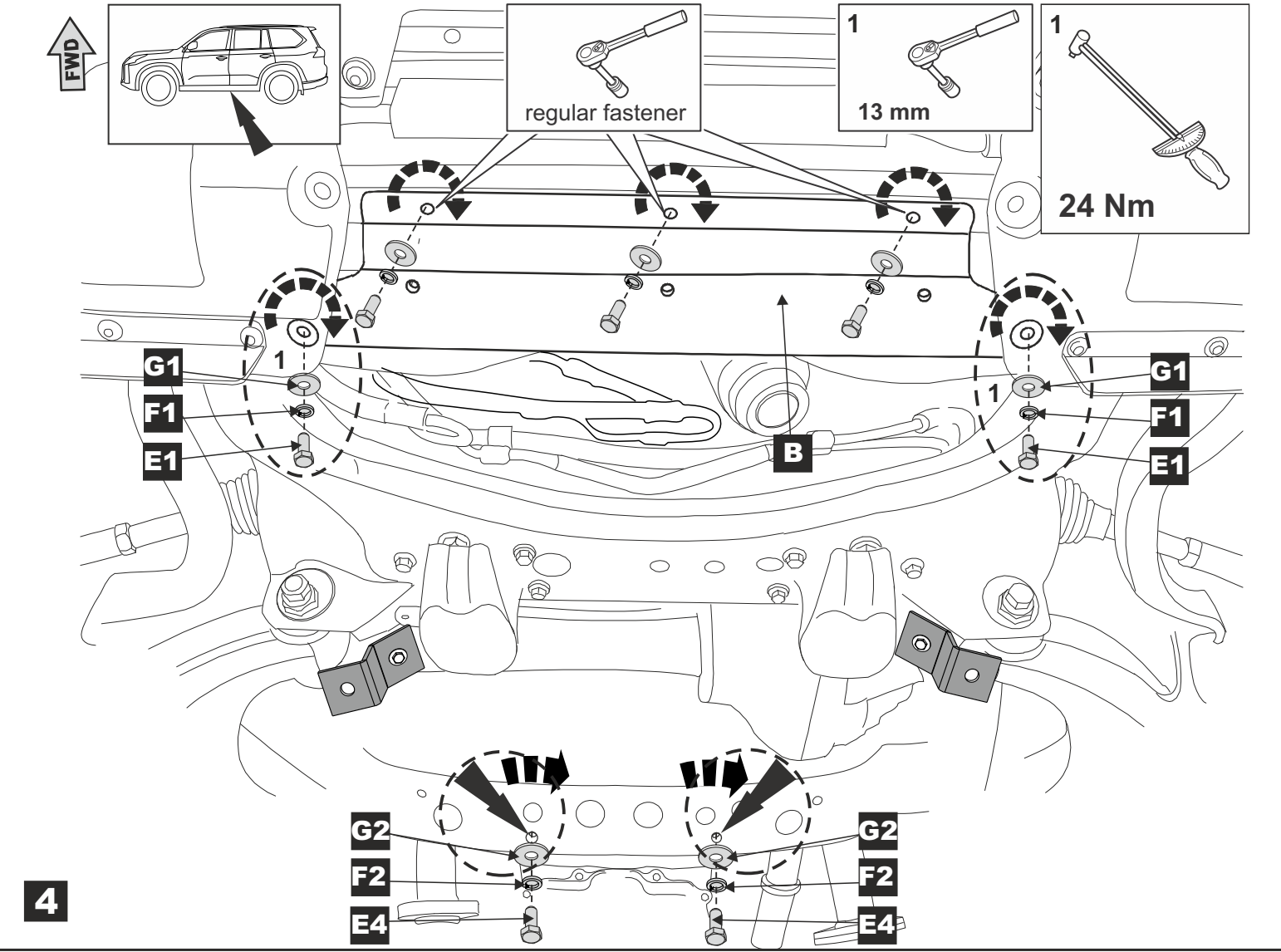
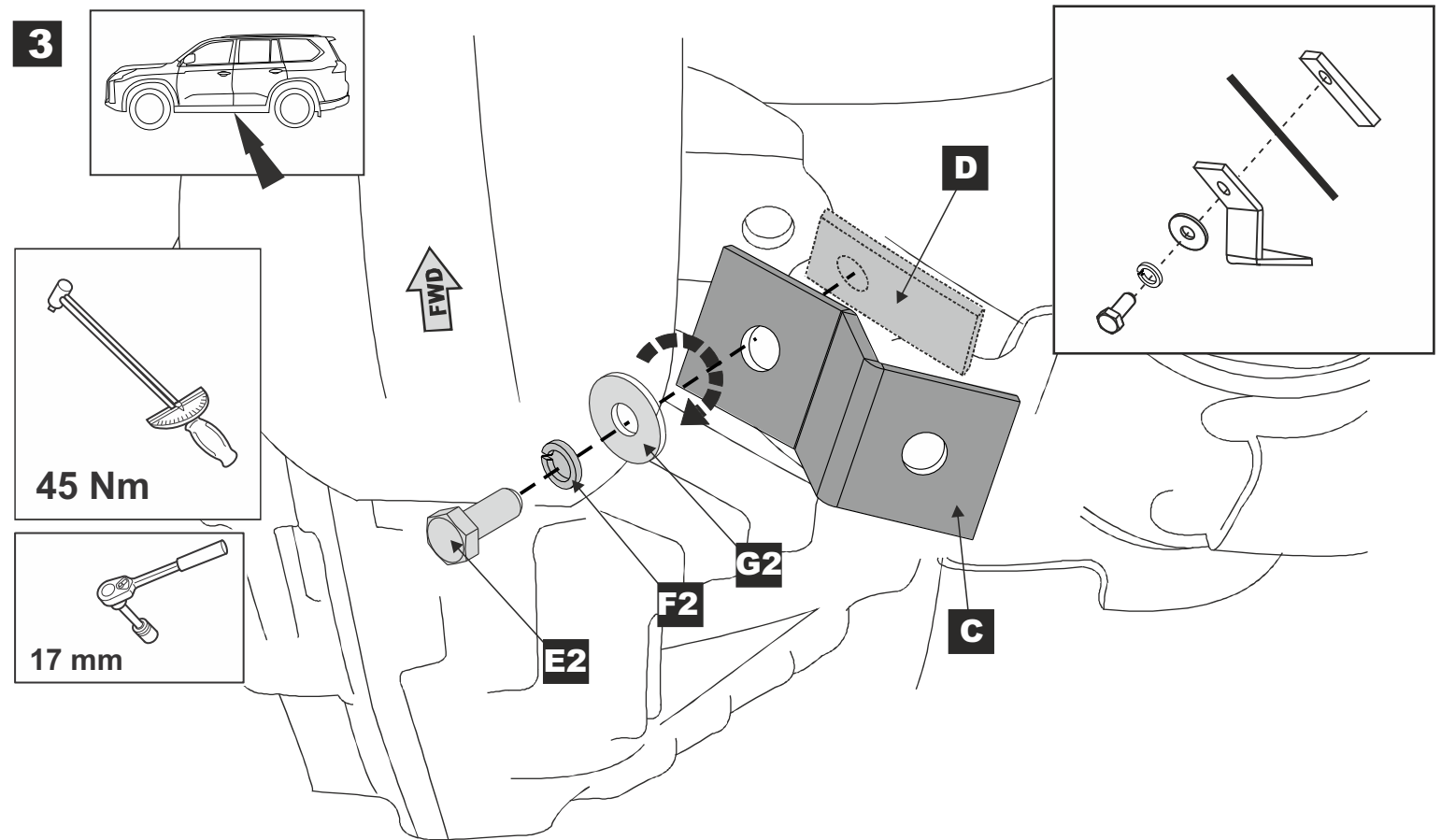


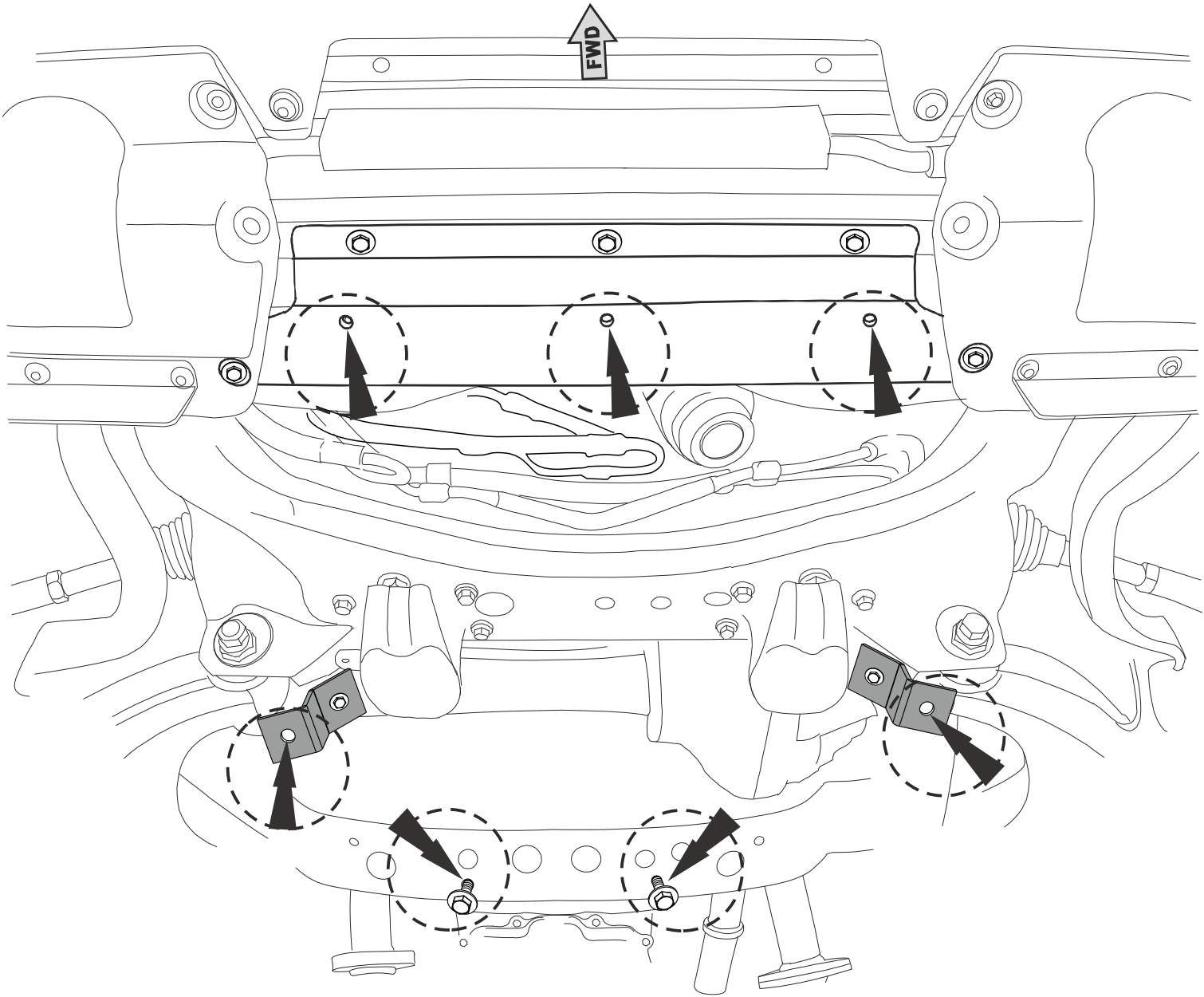
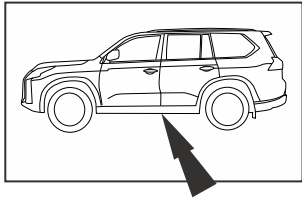
1



2

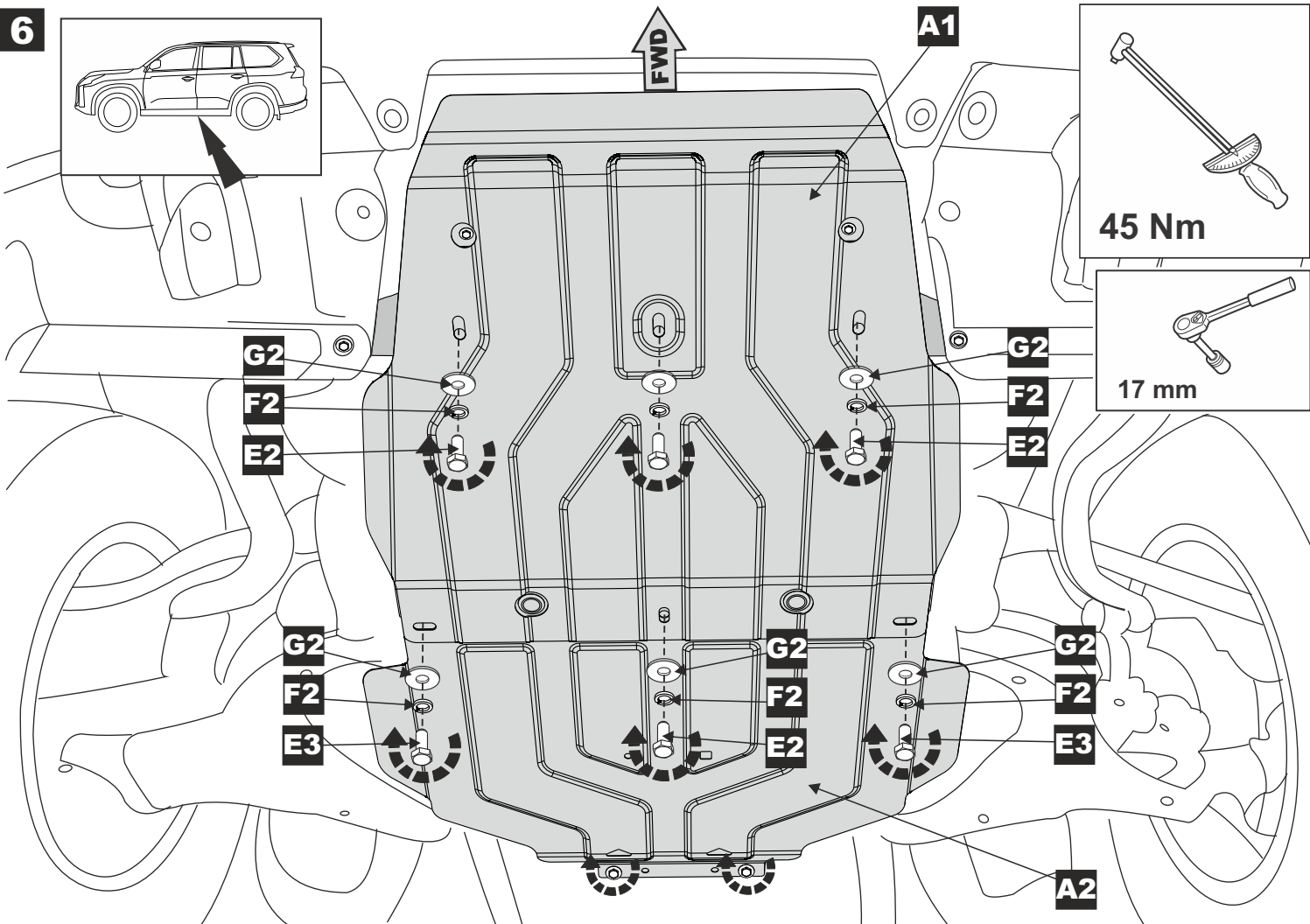






**5**

6



7

